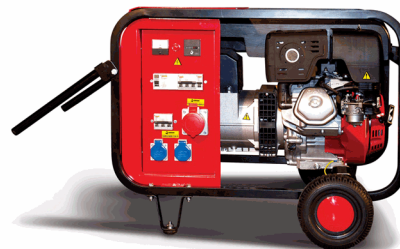




G 8/10000 H

Voltage (V): 230
Frequency (Hz): 50
MOBILE
KEY START



Technical Data Sheet

Technical information

PRP Power (kVA)	8
PRP Power (kW)	6,4
Model	MOBILE

Weight and Dimensions (mm)

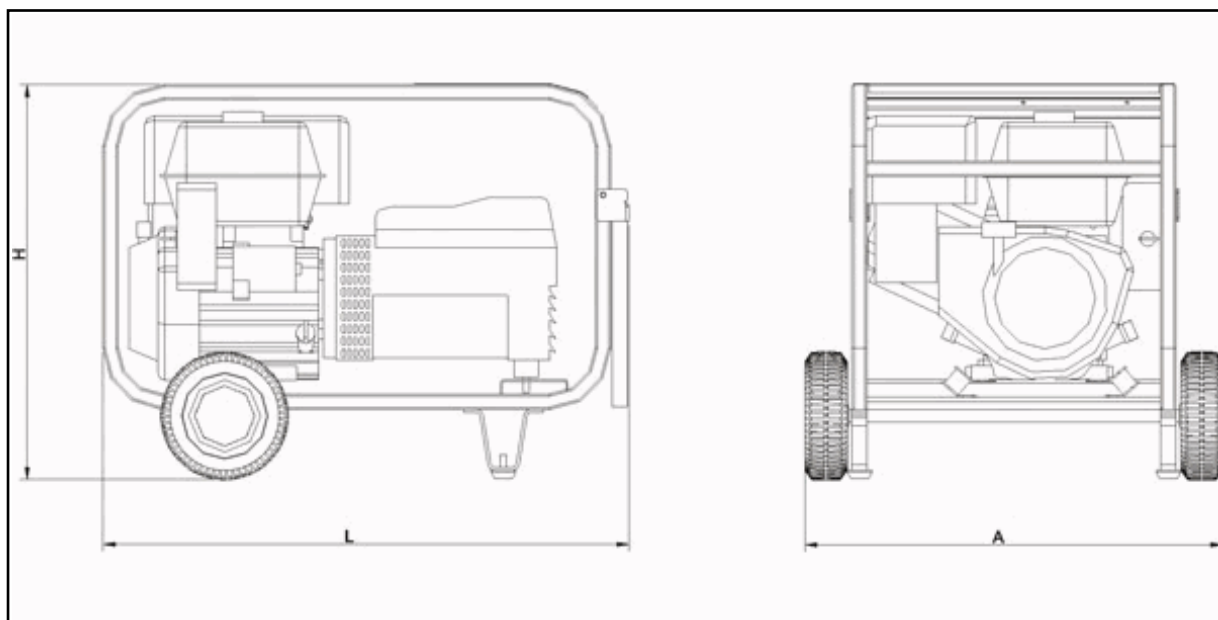
Length (L)	860
Width (A)	690
Height (H)	650
Weight (kg)	95
Fuel tank capacity (l)	6,5

Noise Level

Acoustic pressure [LpA] (dBA)	77
Acoustic power [LwA] (dBA)	97

Trailer Information

No. Axles	1
-----------	---



Consumption

	PRP Power		Standby Power	
	L/h	Range (hours)	L/h	Range (hours)
25%	0	0	0	0
50%	0	0	0	0
75%	1,8	3,6	1,8	3,6
100%	2,4	2,7	2,4	2,7

Engine

Brand	HONDA
Model	GX 390
No. of cylinders	1
Engine Capacity (c.c.)	389
Bore (mm)	88
Stroke (mm)	64
Compression ratio	8:1
Air cooled	✓
Speed (r.p.m.)	3000
Power (HP)	11,2

Lubrication System

Oil sump capacity (l)	1,1
-----------------------	-----

Electrical system

Number of batteries	1
Battery	12V 7 Ah.

Alternator

Model	S20F-200/A
Power (kVA)	9,63

Electric Panel**Measuring Instruments**

Hour meter	✓
------------	---

Protection Devices

Earth Leakage Protection	✓
Circuit breaker	2P 25A ** 2P 10A

Head office address:

Pol. Indl Malpica-Alfinden. C/Encina 8
50171 La Puebla de Alfindén (Zaragoza) España
Tfno: +34 976 107 332 Fax: +34 976 107 366
info@gesan.com www.gesan.com

Grupos Electrógenos Gesan reserves the right to modify any characteristic without prior notice. Photos based on product standards, being possible to add optional elements.