



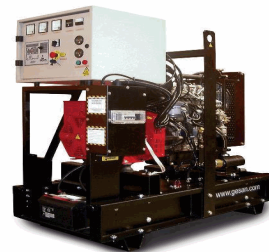
DP 20 MF

Voltage (V): 230

Frequency (Hz): 50

STATIONARY WITHOUT CANOPY

KEY START



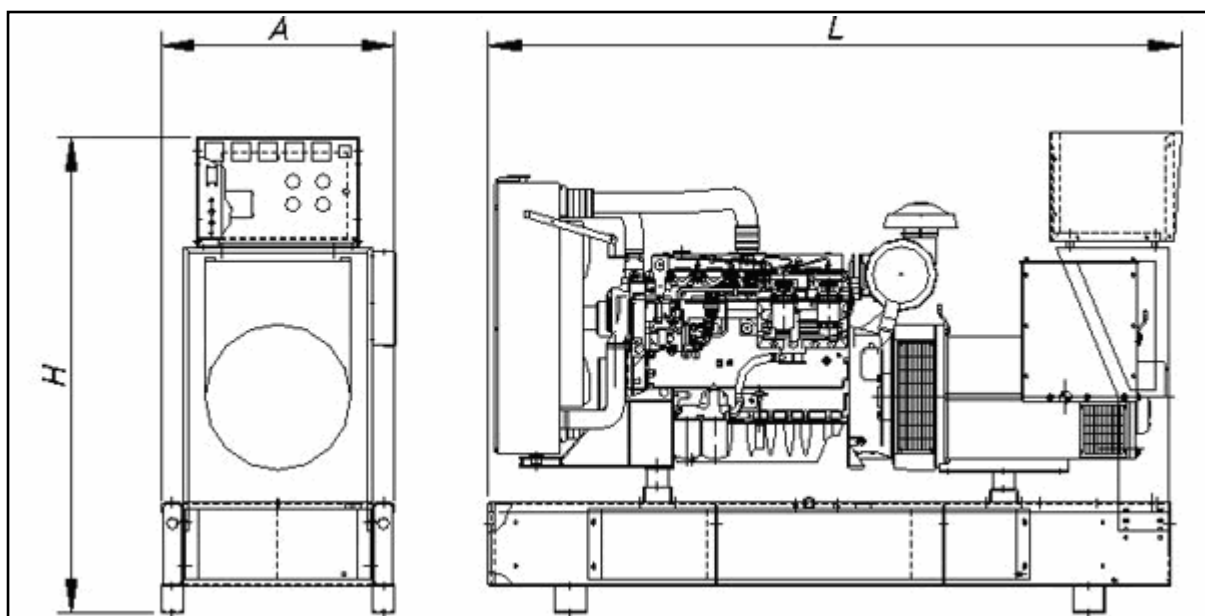
Technical Data Sheet

Technical information

PRP Power (kVA)	20,3
Standby Power (kVA)	22,7
PRP Power (kW)	16,3
Standby Power (kW)	18,2
Model	STATIONARY WITHOUT CANOPY

Weight and Dimensions (mm)

Length (L)	1550
Width (A)	750
Height (H)	1485
Weight (kg)	575
Fuel tank capacity (l)	88



Consumption

	PRP Power		Standby Power	
	L/h	Range (hours)	L/h	Range (hours)
25%	0	0	0	0
50%	2,9	30,3	0	0
75%	4	22	0	0
100%	5,4	16,3	6,2	14,2

Engine

Brand	PERKINS
Model	404C-22G
No. of cylinders	4
Engine Capacity (c.c.)	2216
Bore (mm)	84
Stroke (mm)	100
Compression ratio	22,4:1
Water cooled	✓
Speed (r.p.m.)	1500

Cooling System

Flow of air from fan (m3/min)	40,2
-------------------------------	------

Lubrication System

Oil sump capacity (l)	8
Maximum oil consumption (% fuel consumption)	0,3

Exhaust System

Input diameter (")	2,5
Output diameter (")	2,5
Body diameter (mm)	134
Exhaust length (mm)	570
T ^a gas emission (°C)	445
Gas flow (m3/min)	3,64

Alternator

Model	BCI 184 G1
Electronic Regulation	✓
AVR	SX460
Power (kVA)	21

Electric Panel

Measuring Instruments

Frequency meter	1
Hour meter	✓
Fuel gauge	✓
Engine water temperature gauge	✓

Control Instruments

Control Card	GPM 2
Manual start-up	✓
Remote start-up	✓

Alarms

Start-up failure	✓
Battery charge failure	✓
Low oil pressure	✓
High engine water temperature	✓
Low Fuel Level	✓
Low Radiator water level	✓
Emergency Stop	✓
Overspeed	✓
Maintenance due	✓

Standby Gen-sets

Electric Panel

Auto/Manual Function	✓
Protection Devices	
Emergency stop button	✓
Circuit breaker	3P 100A R

Head office address:

Pol. Indl Malpica-Alfinden. C/Encina 8
50171 La Puebla de Alfindén (Zaragoza) España
Tfno: +34 976 107 332 Fax: +34 976 107 366
info@gesan.com www.gesan.com

Grupos Electrógenos Gesan reserves the right to modify any characteristic without prior notice. Photos based on product standards, being possible to add optional elements.