



DZS 100

Voltage (V): 400/230

Frequency (Hz): 50

STATIONARY WITH CANOPY

KEY START



Technical Data Sheet

Technical information

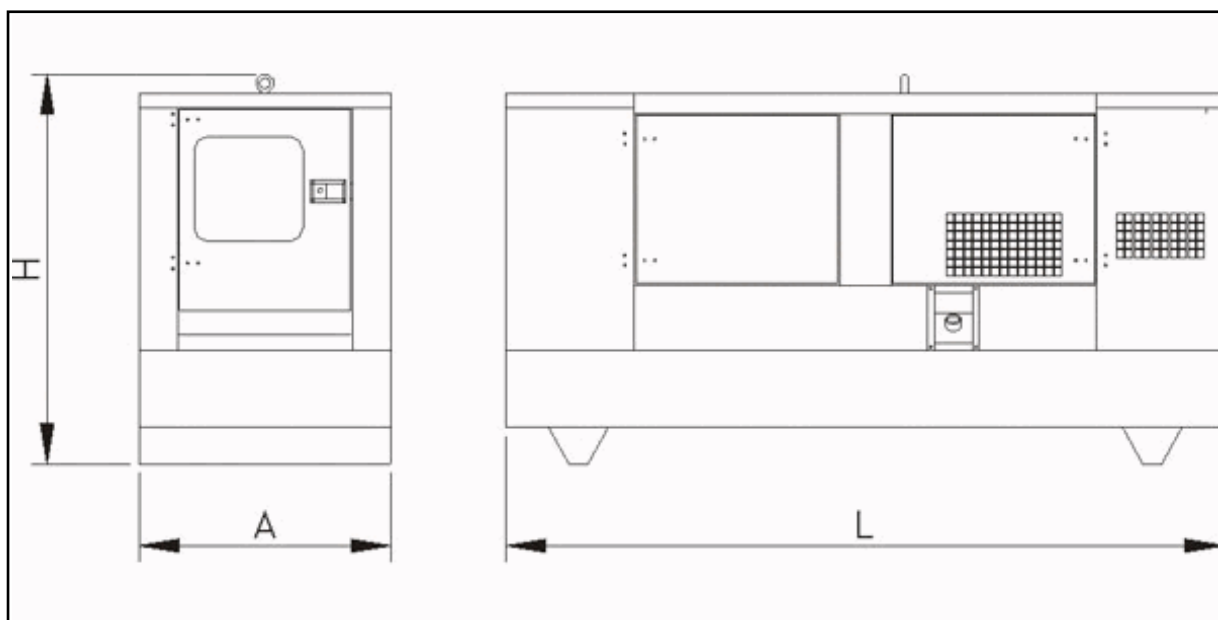
PRP Power (kVA)	100
Standby Power (kVA)	109
PRP Power (kW)	80
Standby Power (kW)	87,2
Model	STATIONARY WITH CANOPY

Weight and Dimensions (mm)

Length (L)	2800
Width (A)	1100
Height (H)	1585
Weight (kg)	1748
Fuel tank capacity (l)	178

Noise Level

Acoustic pressure [LpA] (dBA)	69
Acoustic power [LwA] (dBA)	97



Consumption

	PRP Power		Standby Power	
	L/h	Range (hours)	L/h	Range (hours)
25%	0	0	0	0
50%	10,4	17,1	10,4	17,1
75%	15,2	11,7	15,2	11,7
100%	20,4	8,7	20,4	8,7

Engine

Brand	DEUTZ
Model	BF4M1013EC
No. of cylinders	4
Engine Capacity (c.c.)	4760
Bore (mm)	108
Stroke (mm)	130
Compression ratio	17,5:1
Water cooled	✓
Speed (r.p.m.)	1500

Cooling System

Flow of air from fan (m3/min)	150
-------------------------------	-----

Lubrication System

Oil sump capacity (l)	11
Maximum oil consumption (% fuel consumption)	0,3

Exhaust System

Input diameter (")	3
Output diameter (")	4,5
Body diameter (mm)	380
Exhaust length (mm)	1.310
T ^a gas emission (°C)	540
Gas flow (m3/min)	23

Alternator

Model	UCI 274 C1
Electronic Regulation	✓
AVR	SX460
Power (kVA)	100

Electric Panel

Measuring Instruments

Frequency meter	1
Hour meter	✓
Fuel gauge	✓
Engine water temperature gauge	✓

Control Instruments

Control Card	GPM 2
Manual start-up	✓
Remote start-up	✓

Alarms

Electric Panel

Start-up failure	✓
Battery charge failure	✓
Low oil pressure	✓
High engine water temperature	✓
Low Fuel Level	✓
Low Radiator water level	✓
Emergency Stop	✓
Overspeed	✓
Maintenance due	✓

Standby Gen-sets

Auto/Manual Function	✓
----------------------	---

Protection Devices

Emergency stop button	✓
Circuit breaker	4P 160A R

Head office address:

Pol. Indl Malpica-Alfinden. C/Encina 8
50171 La Puebla de Alfindén (Zaragoza) España
Tfno: +34 976 107 332 Fax: +34 976 107 366
info@gesan.com www.gesan.com

Grupos Electrógenos Gesan reserves the right to modify any characteristic without prior notice. Photos based on product standards, being possible to add optional elements.